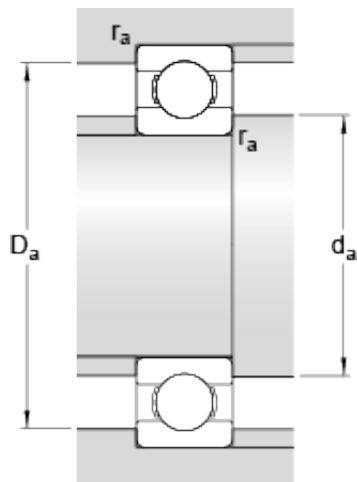




# NTN BEARING CORP.OF America LTD.



## 6200/HC5C3 SKF Hybrid Deep Groove Ball Bearings

Bearing No. 6200/HC5C3

d	10 mm
D	30 mm
B	9 mm
d <sub>1</sub>	17 mm
D <sub>1</sub>	23.2 mm
d <sub>a</sub> min.	14.2 mm
D <sub>a</sub> max.	25.8 mm
r <sub>a</sub> max.	0.6 mm
Basic dynamic load rating C	5.4 kN
Basic static load rating C <sub>0</sub>	2.36 kN
Fatigue load limit P <sub>u</sub>	0.1 kN
Reference speed	65000 r/min
Limiting speed	40000 r/min
Calculation factor k <sub>r</sub>	0.025
Calculation factor f <sub>0</sub>	13.1
Mass bearing	0.032 kg

6200/HC5C3 Bearing 2D drawings and 3D CAD models